

# SEALEY

## ALUMINIUM EXTENSION COMBINATION LADDERS EN 131

MODEL NO'S: **ACL3.V5, ACL307.V3, ACL312.V4**

Thank you for purchasing a Sealey product. Manufactured to a high standard, this product will, if used according to these instructions, and properly maintained, give you years of trouble free performance.

**IMPORTANT:** PLEASE READ THESE INSTRUCTIONS CAREFULLY. NOTE THE SAFE OPERATIONAL REQUIREMENTS, WARNINGS & CAUTIONS. USE THE PRODUCT CORRECTLY AND WITH CARE FOR THE PURPOSE FOR WHICH IT IS INTENDED. FAILURE TO DO SO MAY CAUSE DAMAGE AND/OR PERSONAL INJURY AND WILL INVALIDATE THE WARRANTY. KEEP THESE INSTRUCTIONS SAFE FOR FUTURE USE.



Refer to instruction manual

### 1. SAFETY

#### 1.1. GENERAL SAFETY REQUIREMENTS

- WARNING!** Risk of falling from the ladder.
  - ✓ Refer to instructions.
  - ✓ Inspect the ladder after delivery.
  - ✓ Before every use visually check the ladder is not damaged and is safe to use.
  - ✗ **DO NOT** use a damaged ladder.
  - ✓ Observe maximum total load 150kg.
  - ✗ **DO NOT** use the ladder on a unlevel or unfirm base.
  - ✗ **DO NOT** over reach.
  - ✗ **DO NOT** erect ladder on contaminated ground.
  - ✓ Observe maximum number of users.
  - ✗ **DO NOT** ascend or descend unless you are facing the ladder.
  - ✓ Keep a secure grip on the ladder when ascending or descending. Maintain a handhold whilst working from a ladder or take additional safety precautions if you cannot.
  - ✓ Avoid work that imposes a sideways load on ladders, such as side on drilling through solid materials.
  - ✗ **DO NOT** carry equipment which is heavy or difficult to handle whilst using a ladder.
  - ✗ **DO NOT** wear unsuitable footwear when climbing a ladder.
  - ✗ **DO NOT** use a ladder if you are not fit enough. Certain medical conditions or medication, alcohol or drug abuse could make ladder use unsafe.
  - ✗ **DO NOT** spend long periods on a ladder without regular breaks (tiredness is a risk).
  - ✓ Prevent damage of the ladder when transporting e.g. by fastening and, ensure they suitably placed to prevent damage.
  - ✓ Ensure the ladder is suitable for the task.
  - ✗ **DO NOT** use the ladder if contaminated, e.g. with wet paint, mud, oil or snow.
  - ✗ **DO NOT** use the ladder outside in adverse weather conditions, such as strong wind.
  - ✓ For professional use a risk assessment shall be carried out respecting the legislation in the country of use.
  - ✓ When positioning the ladder take into account risk of collision with the ladder e.g. from pedestrians, vehicles or doors. Secure doors (not fire exits) and windows where possible in the work area.
  - WARNING! ELECTRICITY HAZARD**
  - ✓ Identify any electrical risks in the work area, such as overhead lines or other exposed electrical equipment and **DO NOT** use the ladder where electrical risks occur.
  - ✓ Use non-conductive ladders for unavoidable live electrical work.
  - ✗ **DO NOT** use the ladder as a bridge.
  - ✗ **DO NOT** modify the ladder design.
  - ✗ **DO NOT** move a ladder while standing on it.
  - ✓ For outdoor use caution to the wind.
  - ✓ If a ladder is delivered with stabiliser bars these bars should be fixed by the user before the first use, see assembly section overleaf.
  - ✓ Check if ladder is suitable for domestic/professional use.
- #### 1.2. SAFETY REQUIREMENTS FOR LEANING LADDERS
- ✓ Leaning ladders with rungs shall be used at the correct angle.
  - ✓ Only use ladder in the direction as indicated, only if necessary due to the design of the ladder.
  - ✓ Ladders used for access to a higher level shall be extended at least 1 metre above the landing point and secured, if necessary.
  - ✗ **DO NOT** lean the ladder against unsuitable surfaces.
  - ✗ Ladder must never be moved from the top.
  - ✗ **DO NOT** stand on the top three steps/rungs of a leaning ladder.
- #### 1.3. SAFETY REQUIREMENTS FOR STANDING LADDERS
- ✗ **DO NOT** step off the side of a standing ladder onto another surface.
  - ✓ Open the ladder fully before use.
  - ✓ Use the ladder with restraint devices engaged only.
  - ✓ Standing ladders shall not be used as a leaning ladder unless it is designed to do so.



# SEALEY

## EN131



Made in China

[www.sealey.co.uk](http://www.sealey.co.uk)

- ✗ **DO NOT** stand on the top two steps/rungs of a standing ladder without a platform and a hand/knee rail.
- 1.4. SAFETY REQUIREMENTS FOR COMBINATION/EXTENDING LADDERS**
- ✗ **DO NOT** climb above the rung or tread recommended of the combination ladder used in a standing position, with extending ladder at the top. The minimum requirement shall always be: **DO NOT** climb above the top four steps/rungs.
- ✓ Locking devices shall be checked and be fully secured before use if not operated automatically.
- ✓ The loose end of the rope shall be tied to the ladder (only if necessary due to design of the ladder).

## 2. INTRODUCTION

Aluminium extension ladders manufactured to EN 131 standards. Ideal for the tradesman, this ladder can be used as a three section or two section extension and as a single ladder, which is ideal for two-man use. Can be used as a step and extension step ladder where stability and height are needed. Compact size for easy handling and storage.

## 3. SPECIFICATION

Model no ..... ACL3.V5  
 Maximum Capacity: ..... 150kg  
 Maximum Extension: ..... 3.60m when in 'A' frame  
 Maximum Reach: ..... 6.5m  
 Minimum Height: ..... 2.47m  
 Tread Count: ..... 3 x 9

Model no ..... ACL312.V4  
 Maximum Capacity: ..... 150kg  
 Maximum Extension: ..... 7.59m  
 Maximum Reach: ..... 8.49m  
 Minimum Height: ..... 3.3m  
 Tread Count: ..... 3 x 12

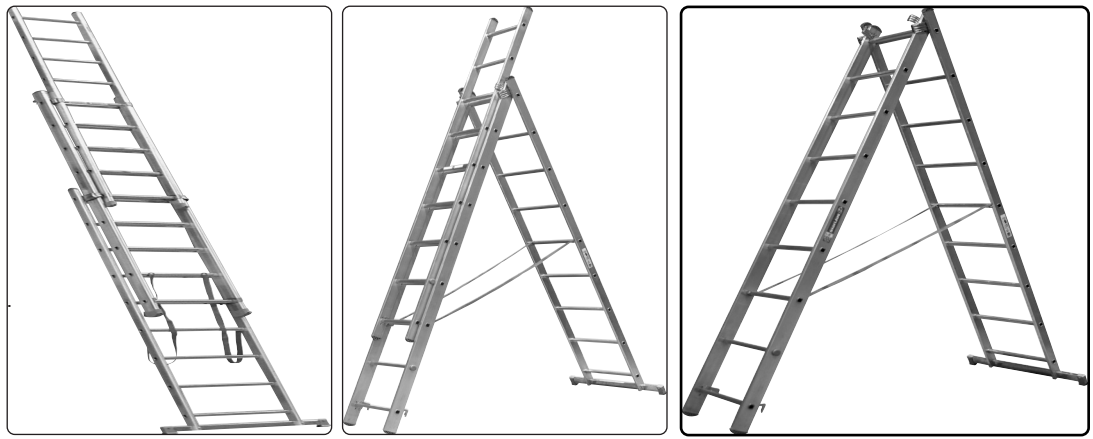
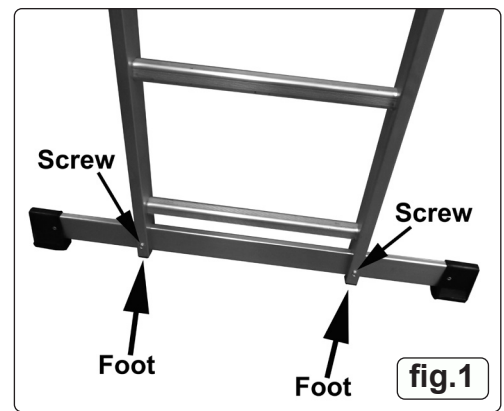
Model no ..... ACL307.V3  
 Maximum Capacity: ..... 150kg  
 Maximum Extension: ..... 2.84m when in 'A' frame  
 Maximum Reach: ..... 5m  
 Minimum Height: ..... 1.93m  
 Tread Count: ..... 3 x 7

## 4. ASSEMBLY

- 4.1. FIT FOOT refer to fig.1**  
**Note:** Foot must always be fitted in use.
- 4.1.1. Pull plastic feet from bottom of both ladder legs.
  - 4.1.2. Place foot in cut out section of both feet and re-insert into legs.
  - 4.1.3. Secure through leg and plastic feet with screw, nut and washer, of both legs.

## 5. MAINTENANCE

- 5.1. Keep ladder clean. Repairs must be performed by suitably trained operatives only.
- 5.2. Store out of direct sunlight.



Typical configurations for all ladders (Model shown ACL3.V5)

**ENVIRONMENT PROTECTION**  
 Recycle unwanted materials instead of disposing of them as waste. All tools, accessories and packaging should be sorted, taken to a recycling centre and disposed of in a manner which is compatible with the environment. When the product becomes completely unserviceable and requires disposal, drain any fluids (if applicable) into approved containers and dispose of the product and fluids according to local regulations.

**Note:** It is our policy to continually improve products and as such we reserve the right to alter data, specifications and component parts without prior notice. Please note that other versions of this product are available. If you require documentation for alternative versions, please email or call our technical team on [technical@sealey.co.uk](mailto:technical@sealey.co.uk) or 01284 757505.  
**Important:** No Liability is accepted for incorrect use of this product.  
**Warranty:** Guarantee is 12 months from purchase date, proof of which is required for any claim.

**Sealey Group, Kempson Way, Suffolk Business Park, Bury St Edmunds, Suffolk. IP32 7AR**

01284 757500   
 01284 703534   
 [sales@sealey.co.uk](mailto:sales@sealey.co.uk)   
 [www.sealey.co.uk](http://www.sealey.co.uk)